

—  
—

**Modular Cooking - Table Top Induction**  
**Electric - Wok Induction**  
**NEWI 35 JK**



Due to continuous technical development, the image shown may not represent the latest design of the unit.

**DESCRIPTION**

Table top electric wok induction with 455 mm depth and 3.5 kW round coil induction.

Usable for wok sauteeing, boiling, simmering and shallow frying.

Made of AISI 304 with 1.5 mm top thickness, equipped with Modulating power control, curved 5 mm wok glass with collar protection for better durability.

**OTHER AVAILABLE MODELS**

- NEFI 35 JK

**MAIN FEATURES**

- Powered with 3.5 kW induction coil
- Controlled with gradual 9 power level and timer function. Completed with LED indicator.
- Induction coil with 120 mm diameter
- Glass diameter of 290 mm.
- Induction generator is cooled with the filter system underneath.
- Thermal-cut off when overheated.

**CONSTRUCTION**

External construction entirely with AISI 304.

- Top panel with 1.5 mm thickness.
- IPX4 water protection level.

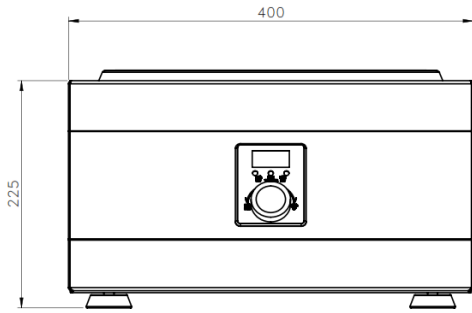
**INCLUDED ACCESSORIES**

- Ferritic wok made of Stainless Steel 409.
- Power cable, H07RN-F (3x 2.5 mm).

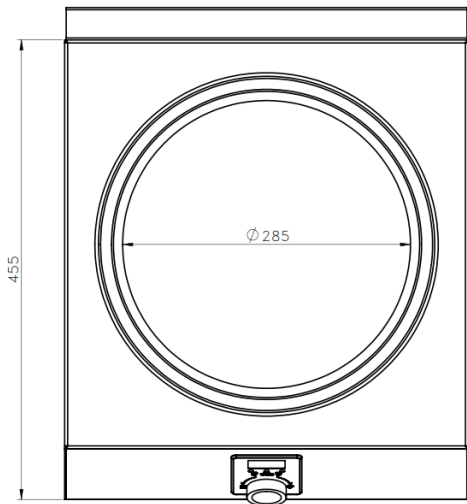
**OPTIONAL ACCESSORIES**

- N/A.

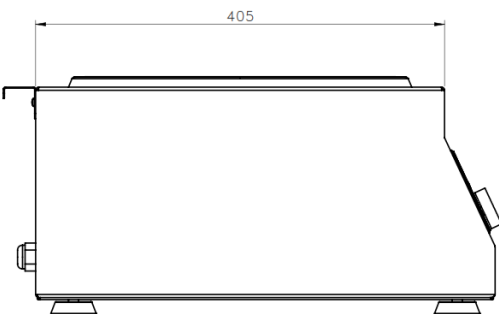
### FRONT



### TOP



### SIDE



## TECHNICAL DATA

### External Dimensions

Width	: 400 mm
Depth	: 455 mm
Height	: 225 mm

### Cooking Surface

Cooking zones	: Ø 290 mm
Heating zones	: 1
Control type	: Modulating power control

### Electrical Supply Data

Total connected load	: 3.5 kW
Voltage	: 230V, 1NPE AC / 50-60 Hz
Recommended fuse	: 20 A (slow)

### Connections

Water	: N/A
Drain	: N/A

### Heat & Steam Emissions

Direct heat emission	: 0.7 kW
Latent heat emission	: 0.28 kW
Steam emission	: 0.41 kg/h

### PACKAGING DATA

Width	: 430 mm
Depth	: 485 mm
Height	: 345 mm
Volume	: 0.07 m <sup>3</sup>

### WEIGHT

Net Weight	: 13 kg
Gross Weight	: 18 kg

\*Overall dimension in mm